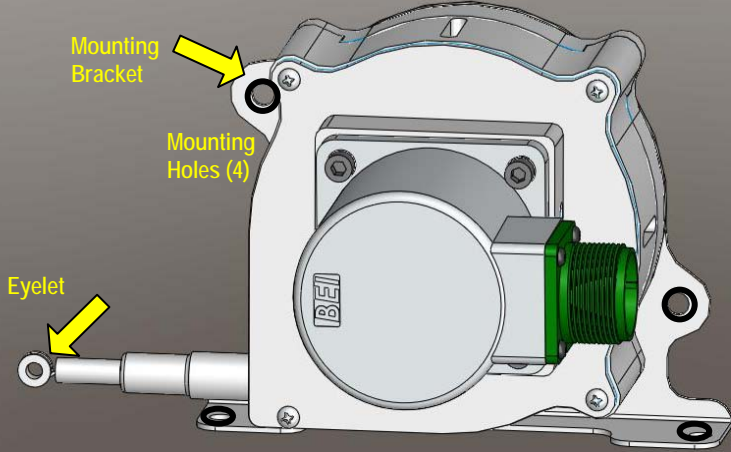



# LT25 Installation Instructions

1. Mount the LT25 securely to a stable, flat surface using the mounting bracket with 1/4" (6mm) max. diameter fastener.
2. Attach the cable to your moving equipment using the eyelet provided (M4, #8 screw or 3/16" pin)



 • *Damage may occur if cable is released and allowed to retract without tension.*  
• *Make certain the cable path is clear of objects or sharp edges to prevent cable damage.*  
• *Cable should exit as straight as possible. A pulley may be used to redirect it.*

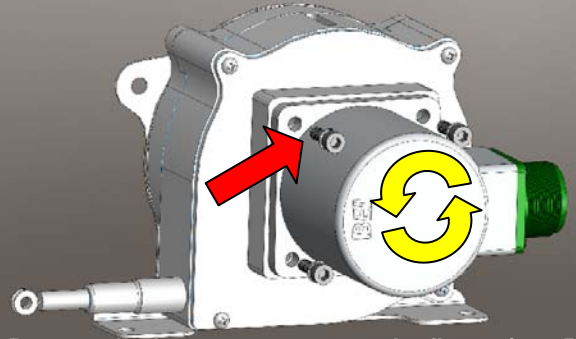
These commodities, technology or software if exported from the United States must be in accordance with the Bureau of Industry, and Security, Export Administration regulations. Diversion contrary to U.S law is prohibited.



7230 Hollister Avenue, Goleta, CA 93117  
Tel: 805-968-0782 Fax: 805-968-3154  
www.beied.com

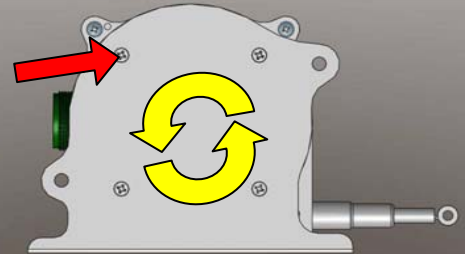
Spec No. 924-02117-001 Rev 0609

## How to change encoder position



Remove the four screws on encoder flange (use 5/32" hex driver), rotate encoder in 90° increments and tighten screws to approx. 13 in-lb.

## How to change mounting bracket position



Remove the four screws as shown with a PH-2 (Phillips) driver, reposition in 90° increments, and tighten screws to approx. 13 in-lb.